

# CGS HYDRA 22 AL SUPPRESSOR MANUAL

---

The CGS Suppressors LLC Hydra AL 22 rimfire silencer is among the quietest and lightest weight 22LR silencers available. This silencer has a shielded, interlocking, orientable baffle stack comprised of 7075 T6 aluminum which has been Type III Hardcoat anodized to military specifications. The baffles may be oriented in any combination of 90 degree increments. Some configurations make increase sound reduction over the standard aligned configuration depending on ammunition type and whether the silencer is being used on a handgun or a rifle length barrel.

Before using this product, please take a moment to read and understand this manual. If you have any questions, please feel free to call us at any time!



---

## PRODUCT FEATURES

- Interlocking, orientable baffles.
- Lightweight construction.
- The baffles and front/rear caps shield the tube from carbon fouling and other debris.
- Comes with a 1/2x28 TPI rear cap by default.
- Easy to remove baffles allow for quick user serviceability.

---

## PRODUCT SPECIFICATIONS

- Caliber – 22LR – Semi auto only
- Length – 5.65”
- Diameter – 1”
- Weight – 3.07oz

---

## MATERIAL SPECIFICATIONS

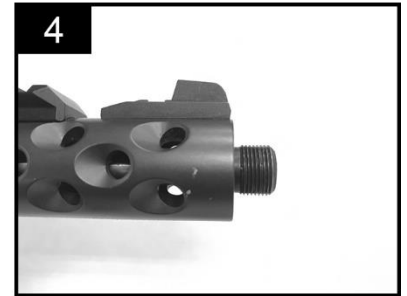
- Tube – 6061 T6 Aluminum
- Baffles – 7075 T6 Aluminum
- Finish – Type III Mil Spec Hardcoat Anodized Aluminum and Nitrided Stainless Steel Rear Cap

Prior to use, ensure all threaded junctions are properly shouldered against their corresponding surfaces and tightly secured. For ease of cleaning, consider lightly coating the interior surfaces of the baffles in a viscous oil/lubricant prior to use to limit the sticking of carbon and other debris. Do not coat the exterior of the baffles that are in contact with the tube.

## INSTALLATION

---

1. Remove the magazine from the firearm, then visually and manually check and clear the action and chamber of the firearm. Make sure the host firearm is unloaded at all times. **(Images 1-3)**
2. Check the barrel threads to ensure they are clean and free of debris. **(Image 4)**
3. Thread the silencer clockwise onto the barrel threads, being careful not to cross thread them. **(Image 5)**
4. Thread the silencer on until hand tight and secure against the shoulder of the barrel. **(Image 6)**
5. Visually inspect that the suppressor is mounted straight to the centerline of the bore. Ensure that it is not tilted or canted in any way, and that it is fully shouldered and secure on the barrel. **(Images 6-7)**



### NOTE:

If the suppressor appears to be misaligned, stop the installation process and contact CGS.

Use of the suppressor if not properly mounted will cause damage to the suppressor and firearm and could cause injury to the shooter.

## REMOVAL

---

**CAUTION!** Do not attempt to remove the suppressor if it is hot.

1. Check to make sure the firearm is safe and unloaded. **(Images 8-10)**
2. Rotate the suppressor counterclockwise until it has been removed from the muzzle of the weapon, ideally by grabbing the rear cap crenellations. **(Images 11-12)**



## DISASSEMBLY

1. With the suppressor removed from the firearm and using the included tool, unscrew the front end cap and remove it from the suppressor. **(Images 13-15)**
2. Remove the baffle stack from the front of the tube. **(Image 16)**
3. Unscrew the rear end cap from the tube. **(Images 17-18)**

The suppressor is now completely disassembled and ready for cleaning.

### NOTE:

The tube should already be extremely clean regardless of round count through the silencer.

If it becomes necessary to clean the inner surface of the tube, use a dry cotton type soft brush.

Prior to reassembly, ensure all joint overlapping and seating surfaces are free of debris. This will ensure a good seal.



## REASSEMBLY

1. Screw the rear cap back into the serialized rear tube cap and tighten. **(Image 19)**
2. Baffle **(Image 20)**, orientation features **(Image 21)**
3. Stack the baffles together so they interlock with each other. Orient them with the cones facing upward and with the ports in the baffle cones facing toward you. **(Image 22)**
4. Slide the tube over the stack of baffles and tilt sideways using your hand to ensure the baffles do not spill out. Turn the suppressor so the open end with the baffles is facing upward. Use your finger and put light pressure on the stack in the tube and rotate the stack inside the tube assembly. Continue to rotate the stack until it stops. This process ensures that any loose baffles dropped into the tube that may have come out of their interlock notches are now interlocked again. **(Image 23-24)**

### NOTE:

The seven baffles are all identical and while it is not critical to line up the ports in the cones, it is recommended to do so simply for point of impact consistency, or note their order of orientation when disassembling to maintain POI consistency upon reassembly. Different configurations of baffle porting orientation can slightly improve sound reduction depending on ammunition type and barrel length.

5. Carefully thread the front end cap into the tube and tighten it hand tight using the included tool. **(Image 25)**
6. Double check to make certain that the bore of the suppressor is not obstructed, and the tube and end caps are properly seated and correctly oriented.

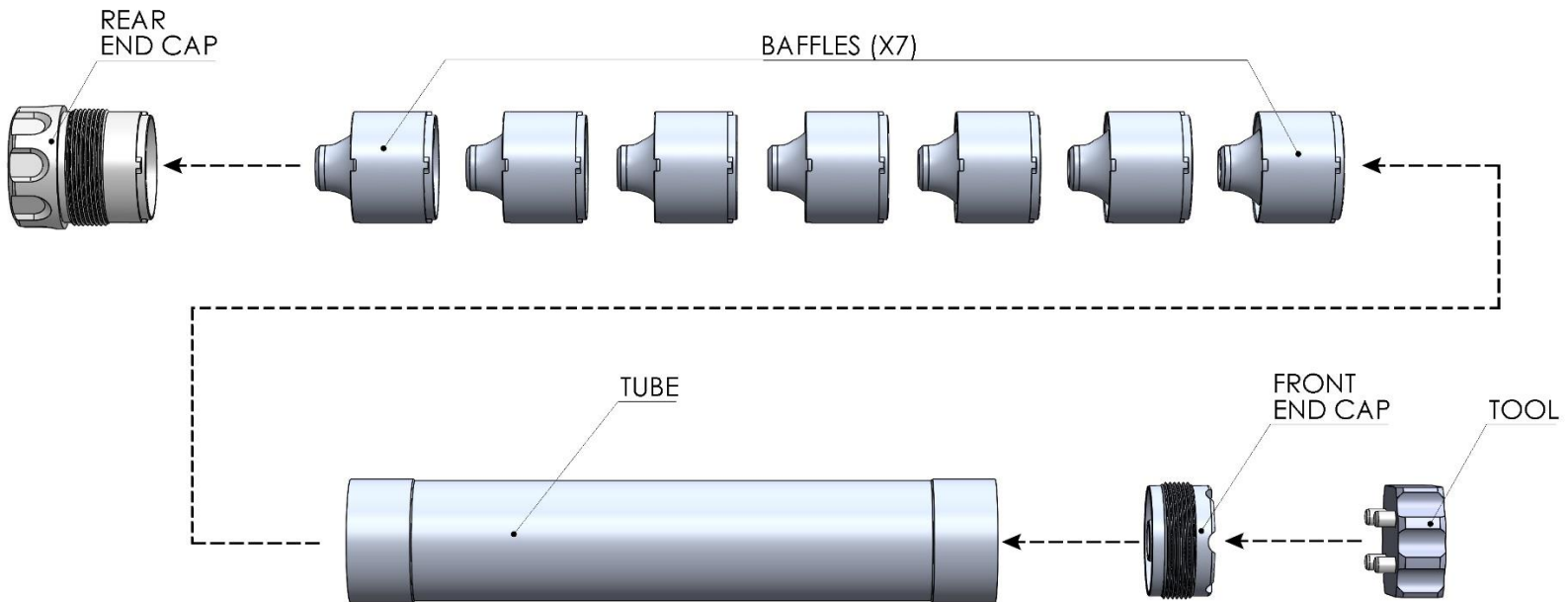
### NOTE:

There should be no visible threads when the suppressor is correctly assembled.



# HYDRA SUPPRESSOR PARTS DIAGRAM

---



## MAINTENANCE

---

1. It is recommended that the suppressor be disassembled and cleaned at intervals of 500-1000 rounds depending on the ammunition being used.
2. With the suppressor removed from the firearm and completely disassembled, clean each component (with exception of the tube assembly as previously noted) with a hydrocarbon based solvent and nylon brush and wipe dry. For easier cleaning, a soda blaster is highly recommended. Pretreating the baffles with a viscous, aluminum safe coating will allow the majority of fouling to wipe right off.
3. Do not use a bore patch or jag to clean the suppressor.
4. After cleaning a light coat of oil should be applied the threads before reassembly.

## WARNINGS AND DISCLAIMERS

---

- Always practice the basic rules of firearms safety when using the suppressor.
- Silencers may loosen during firing. It is important that you frequently verify that your suppressor is securely tightened during use. It is recommended that you check for tightness every 30 rounds and use gloves or another barrier to ensure you are not burned.
- **CGS** is not responsible or liable for damages or injuries resulting from the improper use of this product; it is the user's responsibility to read and completely understand the instructions in this manual before using this product.

## AMMUNITION RECOMMENDATIONS

---

- The HYDRA 22 AL was designed for semi auto firing of SAMMI 22LR ammunition only. Contact **CGS** regarding other types of ammunition.
- We recommend the use of high quality factory loaded ammunition with this product for best sound performance, accuracy, and reliability.
- Suppressors are designed to attenuate the muzzle blast of a firearm, but they do not alter or suppress the sonic crack caused by supersonic projectiles as they break the sound barrier. For best sound suppression we recommend the use of subsonic ammunition.

## WARRANTY

---

Subject to restrictions, CGS warrants this suppressor to be free from any manufacturing defects for life. In the unlikely event that you received a defective product, **CGS** will repair or replace the suppressor; it is at the discretion of CGS to determine if a particular defect or condition is covered by this warranty.

If a repair is necessary, please contact CGS via email or a CGS representative to make arrangements for the proper and legal return of the product.

**Please do not ship anything to CGS without first contacting CGS.**

**CGS Group, LLC**

Customer Service

**Sales@CGSGroup.com**

© 2019 CGS Group LLC. All rights reserved.